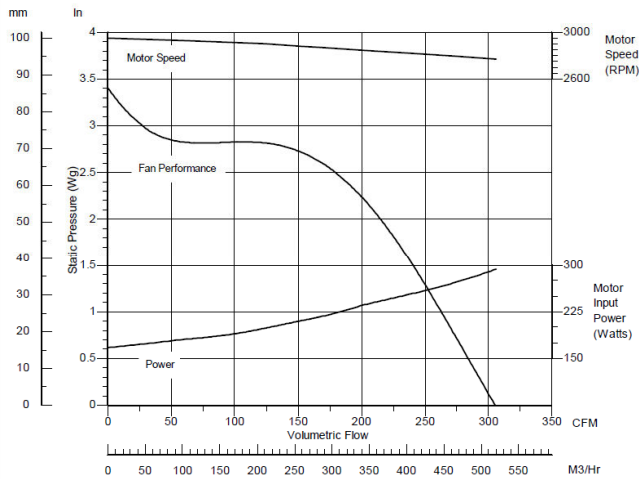


## Pea Soup PS Centrifugal Blower

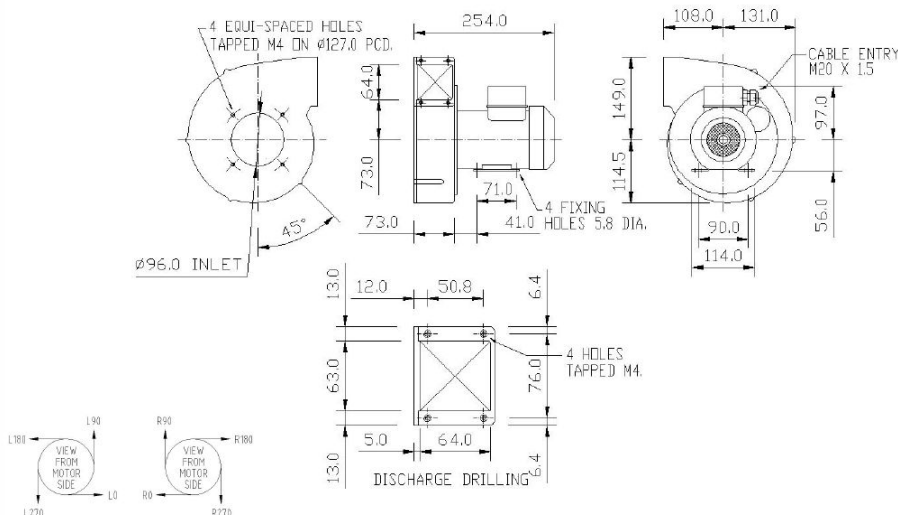
An impressive, smoke sealed, continuously rated centrifugal fan for distributing smoke rapidly and evenly through ductwork into training buildings, simulators etc. Up to 30m 75mm ID ductwork can be used with this blower.

### Performance details:



<b>Motor type:</b>	Squirrel cage induction motor IP44 as std, IP55 available
<b>Nominal supply:</b>	220/240V or 115V 1Ph 50Hz 115/230V 1Ph / 50/60Hz 380/420VY / 220/240VD 3Ph 50Hz 440/480VY / 250/280VD 3Ph 60Hz
<b>Ancillaries:</b>	Inlet and discharge guards, inlet filters, spigots
<b>Materials:</b>	Fan case: cast aluminium LM6 Impellers: galvanised sheet steel
<b>Finishes:</b>	Stove enamel as std
<b>Mounting:</b>	Motor feet or pedestal
<b>Noise levels:</b>	77dB(A) Free Air, 1 metre
<b>Weight:</b>	8Kg
<b>Variations:</b>	Increased safety to ATEX std available

### Outline dimensions:



Please note (1) - all drawings measurements are in millimeters (mm)  
Please note (2) - above technical specifications are subject to change

### Description

Pea Soup's PS Fan is a sealed, continuously rated blower for discharging smoke into training buildings, simulators etc.

It is supplied on a stand appropriate to the type of Pea Soup smoke generator being used, with a guarded inlet, and a 75mm od outlet spigot as standard.

It is normally supplied in its 115/230v 50/60hz form, although other options are available as above.

The angle of discharge can be specified the time of ordering. The default angle of discharge is L90.