

Please Read Carefully Before Operating

TABLE OF CONTENTS

Page 1	Introduction
Page 1	Technical Specifications
Page 2	Warning
Page 3	Operating Procedure
Page 4	Remote Control Features
Page 4	Maintenance
Page 5	Safety Precautions
Page 6	Notes

WATER BASE

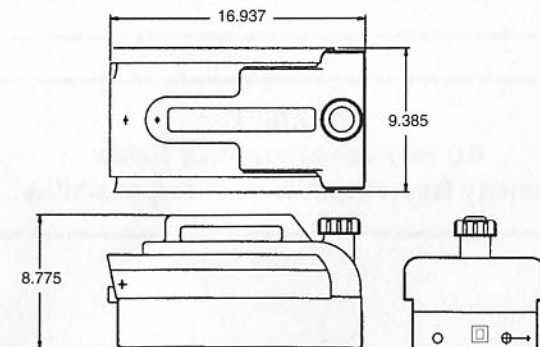
Water Base Fog technology is achieved by pumping a GlycoWater mixture through a heat exchanger. The heat exchanger has been heated to the point where at the fog fluid mixture will vaporize.

The fluids own vaporization forces the hot mixture through the output nozzle where, when it mixes with the ambient air, it forms an opaque aerosol (fog). The fog is made up of tiny droplets of glycol that form around the small particles in the air. The suspended droplets reflect the light, which is why fog will take on the colour of the light illuminating it.

TECHNICAL SPECIFICATIONS

Model:	Maxi Fogger
Type:	Water Base Fog generating system
Size:	500 x 240 x 222 mm. High (Incl. Handle)
Fluid Capacity:	4 Litres (approx. 1 US Gallon)
Weight:	Dry: 8.5 Kgs., 17.5 Lbs. W/Fluid: 13 Kgs., 27.5 Lbs.
Power Rating:	115 Volt A.C. 50/60Hz 10 Amps 230 Volt A.C. 5 Amps

MAXI FOGGER ILLUSTRATION



WARNING

IMPORTANT SAFETY INSTRUCTIONS

Do not touch or place hands, expose skin,
within 50 cm. of discharge nozzle.

SAVE THESE INSTRUCTIONS
READ THESE IMPORTANT SAFETY INSTRUCTIONS

WARNING

READ THESE IMPORTANT SAFETY INSTRUCTIONS
Do not remove the outer case until power has been
disconnected from the machine

READ THESE IMPORTANT SAFETY INSTRUCTIONS

Persons suffering from asthma or allergenic
sensitivity may experience irritation, discomfort,
or
allergic symptoms when exposed to heated fog effects

WARNING

Ensure that this unit is grounded at all times.
Failure to do so may result in serious injury.

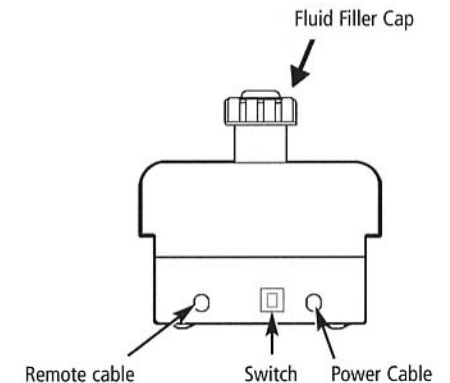
WARNING

DO NOT use alternative fluids.
Toxicity free output is your responsibility.

OPERATING PROCEDURE

1. Remove your **maxi fogger** from it's packaging and inspect for any visual damage that may have occurred during shipping. Your **maxi fogger** is shipped to you with approximately 1 litre (1 quart) of fluid in the fluid resevoir. If you like you can "top" the fluid resevoir up by removing the fluid filler cap shown in the diagram below, and adding Le Maitre Genuine Fog Fluids only to the fluid resevoir, Do not overfill. The use of other fluids will void warranty and may lead to block damage and can produce toxic smoke output.

2. The **maxi fogger** is ready to be connected to the AC power supply. The **maxi fogger** must only be connected to a suitable mains supply, and be adequately grounded. The supply should be 'clean' and free of interference. Activate mains on switch at rear of unit.

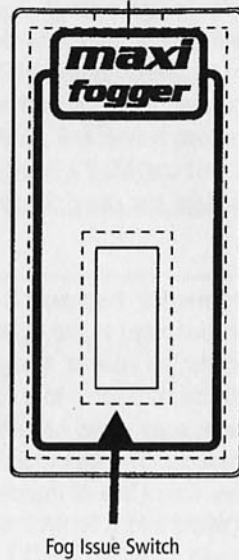


3. A cold **maxi fogger** will take up to nine minutes to heat when first plugged in. The fog issue switch on the **maxi fogger remote** will illuminate (see illustration on next page) when the **maxi fogger** is ready to use. The **maxi fogger** will produce approximately 30-40 seconds of high output fog issue. Normal re-heat time is usually less than three minutes between fog issue cycles.

REMOTE CONTROL FEATURES

The **maxi fogger** remote simplistic design makes it easy to use.

When the **maxi fogger** is ready to use, the Fog Issue Switch will illuminate.



MAINTENANCE

Exterior:

The casing of the **maxi fogger** is steel with a powder paint coating. To clean, remove from power supply and simply wash with mild soap and warm water.

SAFETY PRECAUTIONS

1. Ensure that operation of the machine is supervised by suitably trained and authorised personnel.
2. Do not modify the machine or use a machine which has been damaged in any way.
3. Allow sufficient air circulation around the machine at all times.
4. Protect the **maxi fogger** from direct weather effects and wet locations.
5. Only use fluids recommended by the Manufacturer.
6. Do not continue to produce Fog output in an enclosed area when visibility is reduced below 50cm.
7. Avoid direct Fog output continuously at persons, structure or objects within close proximity of the discharge nozzle.
8. Ensure that adequate exhausting arrangements are available in the event of an emergency.
9. Do not place hands, or exposed skin within the first 50cm of the discharge nozzle at any time during fog production.
10. The operator should ensure that the unit is functioning properly, and that no wet smoke is being issued, or fluid deposits are forming.

WARNING

Le Maitre Limited considers all its product to be safe for use in the application it was intended. Le Maitre Limited takes no responsibility for misuse or incorrect use. Always refer to equipment owners manual for proper use.

WARRANTY

Le Maitre

5/6 Forval Close, Wandle Way, Mitcham, Surrey CR4 4NE

Tel: 020 8646 2222 Fax: 020 8646 1955

E mail: lemaitre@compuserve.com www.lemaitre.com

The Le Maitre Maxi Fogger is sold with one year's warranty, which includes parts and labour from the date of purchase. This warranty covers manufacturing defects, providing that the unit has been regularly serviced by an authorised agent and has only used genuine Le Maitre fluid.

CUSTOMER REGISTRATION

You must fill in this form and return it to Le Maitre as soon as possible to register your guarantee. You will be require roof of date of purchase by either supplying a copy of the purchase invoice or a dealer stamp and signature in the appropriate box.

Name: _____

Address: _____

Model: _____

Serial No: _____

Purchased From: _____

Date Purchased: _____

Dealer stamp:

Dealer Signature: _____

