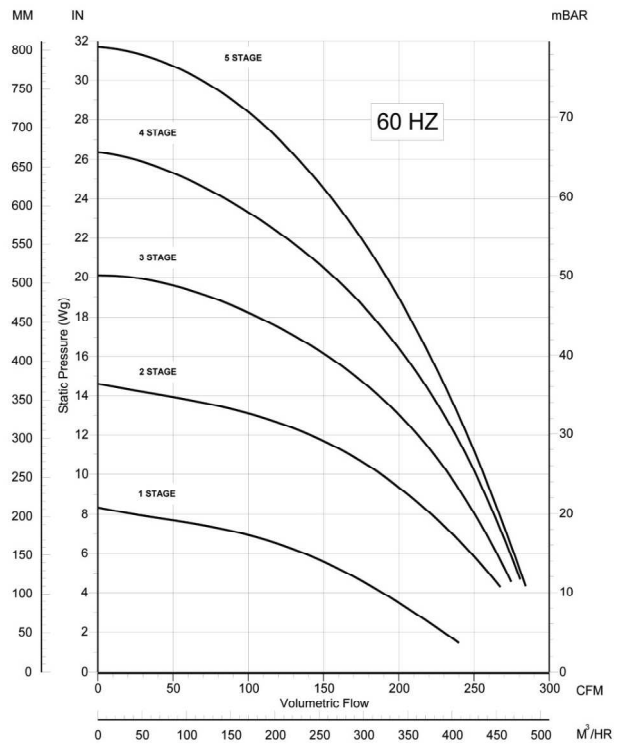
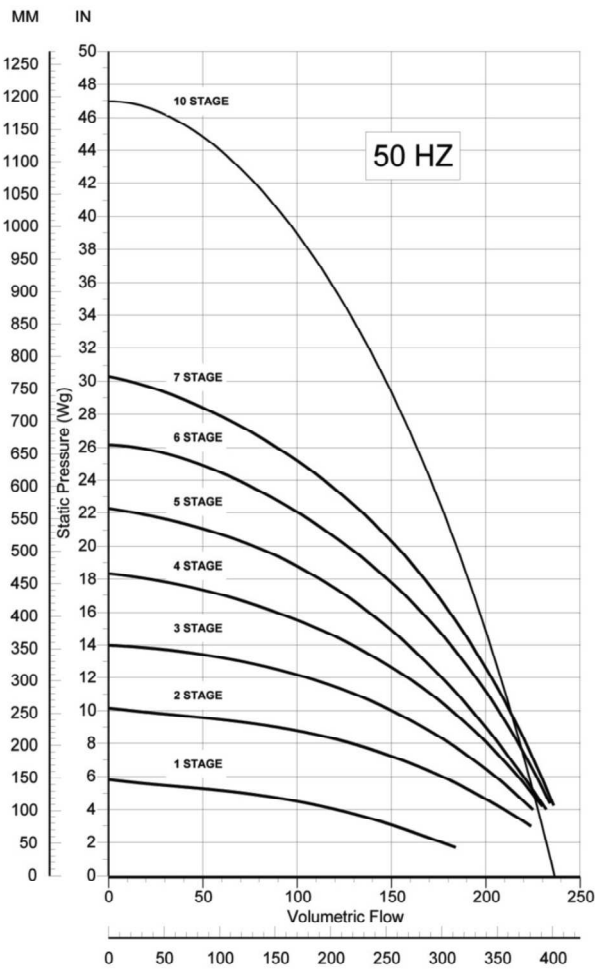
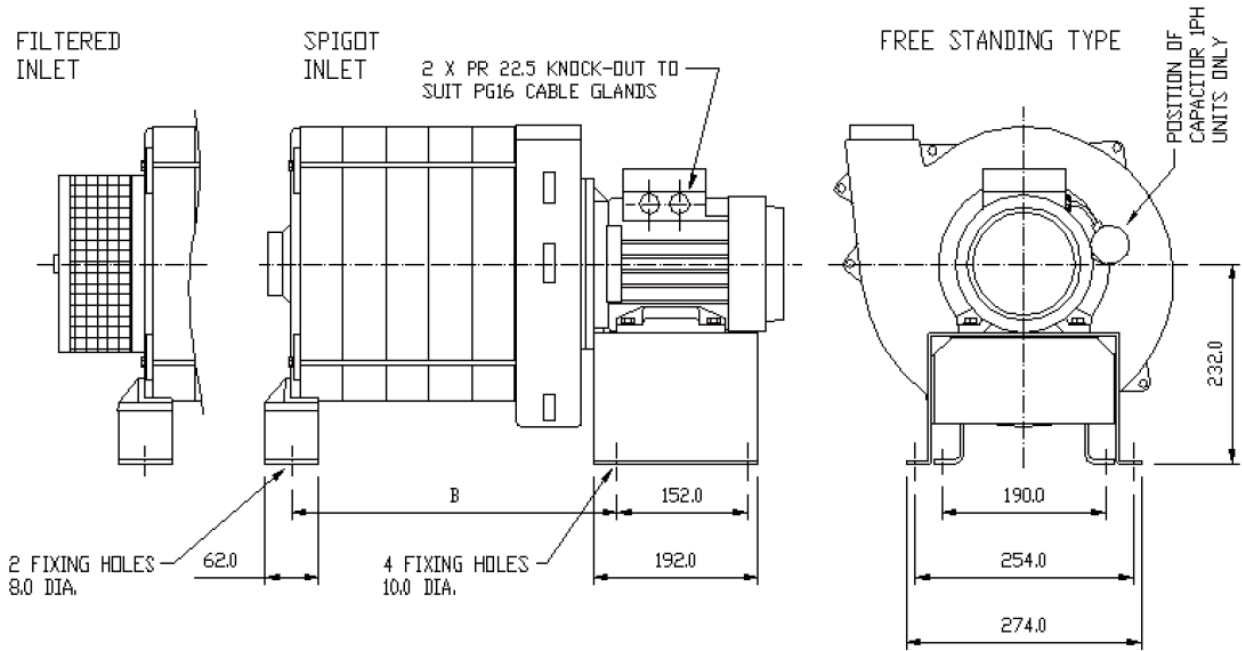
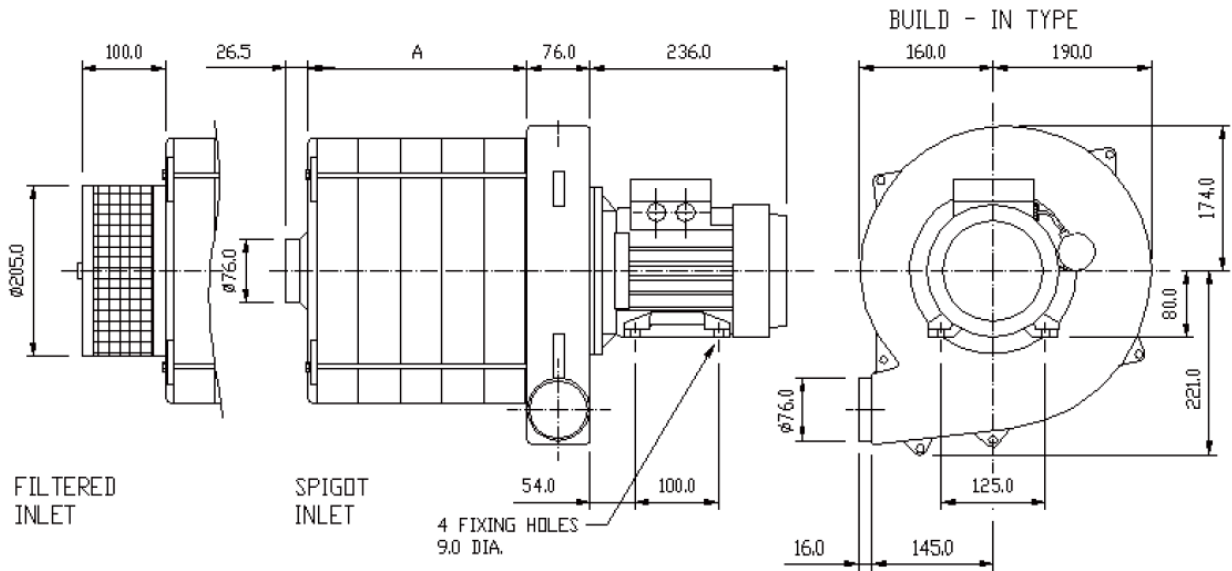


# Pea Soup PS Multi-stage Centrifugal Blower

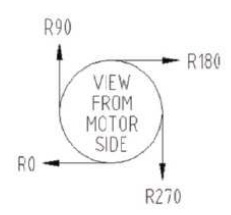
An impressive, smoke sealed, continuously rated backward curved, single inlet centrifugal fan for distributing smoke rapidly and evenly through ductwork into training buildings, simulators etc.



**Outline dimensions (build in and feet mounted):**



Unit	A	B	WEIGHT KGS	PEDESTAL KGS	FILTERED INLET KGS
1MS	15	-	9.5	10.5	12
2MS	15	-	11	12	13.5



FORWARD SUPPORT BRACKETS ONLY FITTED TO THESE TYPES

